

Sink S1000

Bowl on the right

Kitchen Sinks

Code: 1186 461



DETAILS

Edge/Installation Type Standard (8 mm Edge)

Finish Foster brushed

Material AISI 304 stainless steel

Texture Microfoster

Base 45 cm

Dimensions 860x500 mm

Standard fittings Fixing hooks, gasket, drain, overflow and siphon, boxed packing

Mixer holes 1 standard hole

Built-in hole 840x480 mm

Drainer Yes

Width 86 cm

Bowl dimension 340x400mm

Number of bowls 1 bowl

Waste fitting 3,5" drain

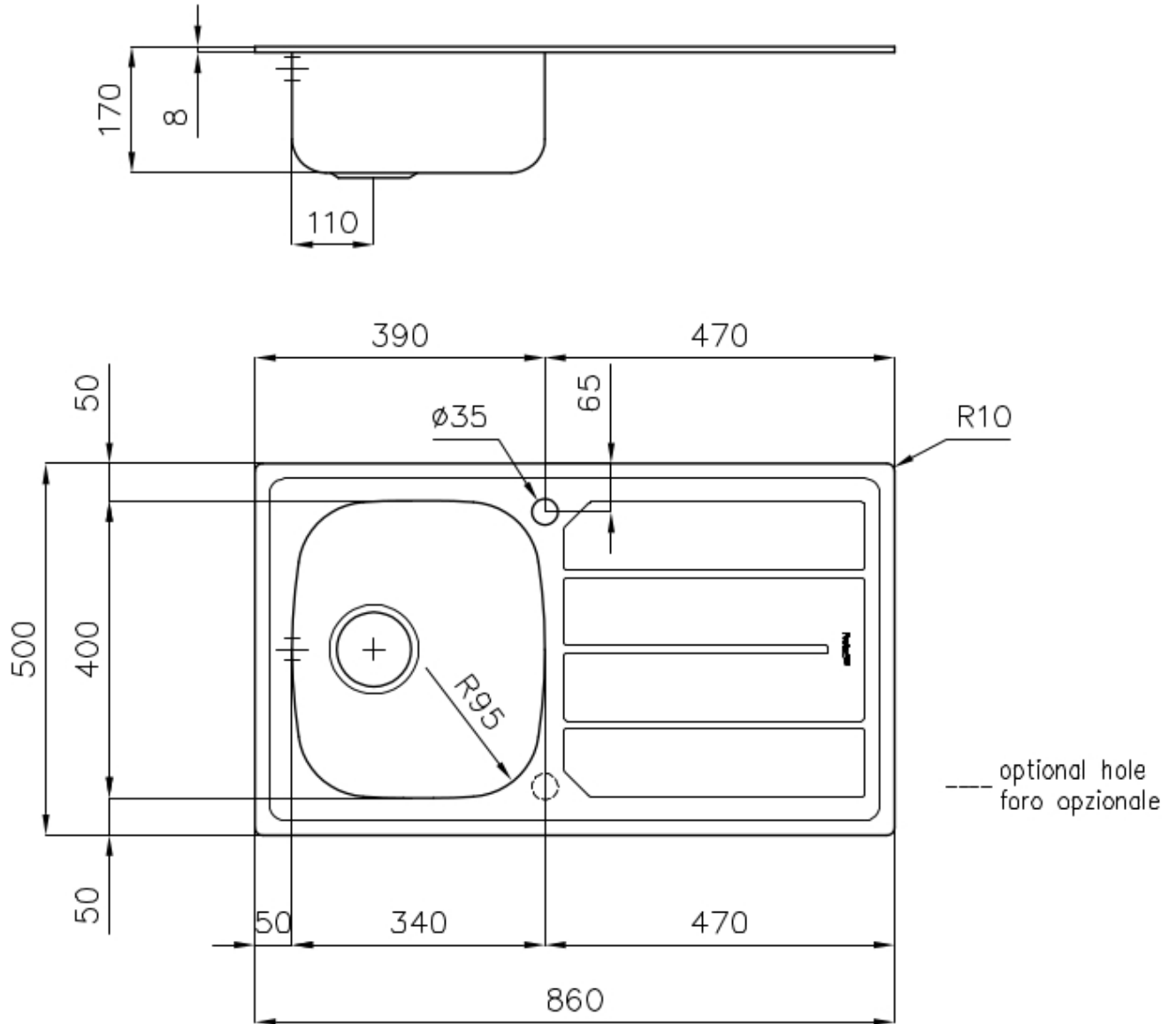
FEATURES

Sliding brackets

Added value Foster uses steel thicknesses higher than those used on average by other manufacturers. This is how, thanks to our long experience, we know how to make sinks of superior quality and with a better resistance to aging.

Basket 3,5" waste fitting The drain is equipped with a large 3.5" drain, with the practical basket cap that prevents the discharge of solid parts.

TECHNICAL DATA



OPTIONAL ACCESSORIES



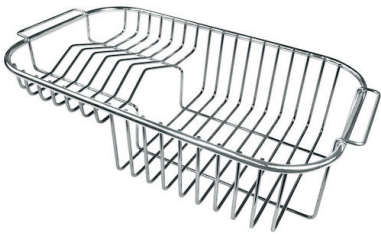
HPDE Chopping board
8657 001



Iroko-wood sliding chopping board
8643 000



Stainless steel basket
8611 000



Stainless steel plate rack
8100 301

RECOMMENDED PAIRINGS



Mixer Tap Lorenzo
8466 000



Mixer Tap S1000 - RO
8443 002